



Harvey Cement Products, Inc.

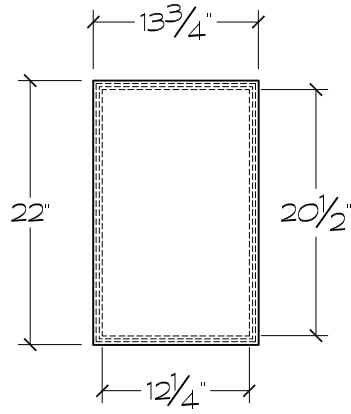
Since 1947

16030 Park Avenue, Harvey, IL 60426

Ph: 708.333.1900 F: 708.333.1910

www.harveycement.com

TOP VIEW



CAP

Profile ID

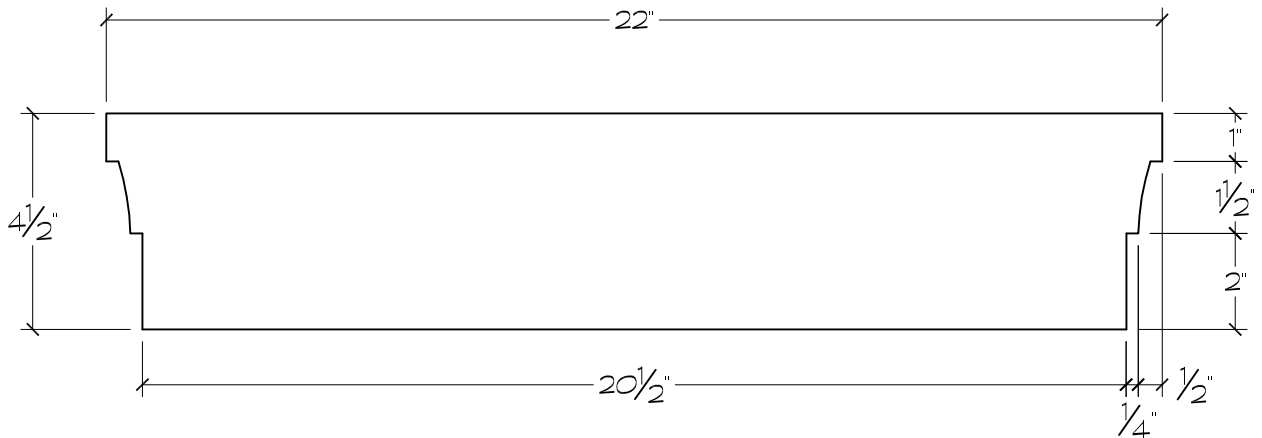
DP

**SUGGESTED USE**

Sill	
Transition Band	
Coping	
Cap	X
Field / Band	
Cornice	

**TYPE / SIZE AVAILABILITY**

TYPE	LENGTH(S)
Cap	13 3/4"



CROSS SECTION

1 **PROFILE DP**  
 ARCH REF:  
 SCALE: 3"=1'-0"